

Service  
Service  
**Service**



# Service Manual

AZ1133 is classified as exchange models.  
This manual only gives some diagrams for  
basic repair in some regions.



## TABLE OF CONTENTS

Service partslist .....	2
Set wiring diagram .....	3
Circuit diagram	
Display & Key board .....	4
CD (1) .....	5
CD (2) .....	6
Tuner & Power .....	7
Layout diagram	
Display/key board .....	8
Main board (top view) .....	9
Main board (bottom view) .....	10



© Copyright 2006 Philips Consumer Electronics B.V. Eindhoven, The Netherlands  
All rights reserved. No part of this publication may be reproduced, stored in a retrieval  
system or transmitted, in any form or by any means, electronic, mechanical, photocopying,  
or otherwise without the prior permission of Philips.

Published by YT 0622 Service Audio Subject to modification

GB 3141 785 31150

Version 1.0

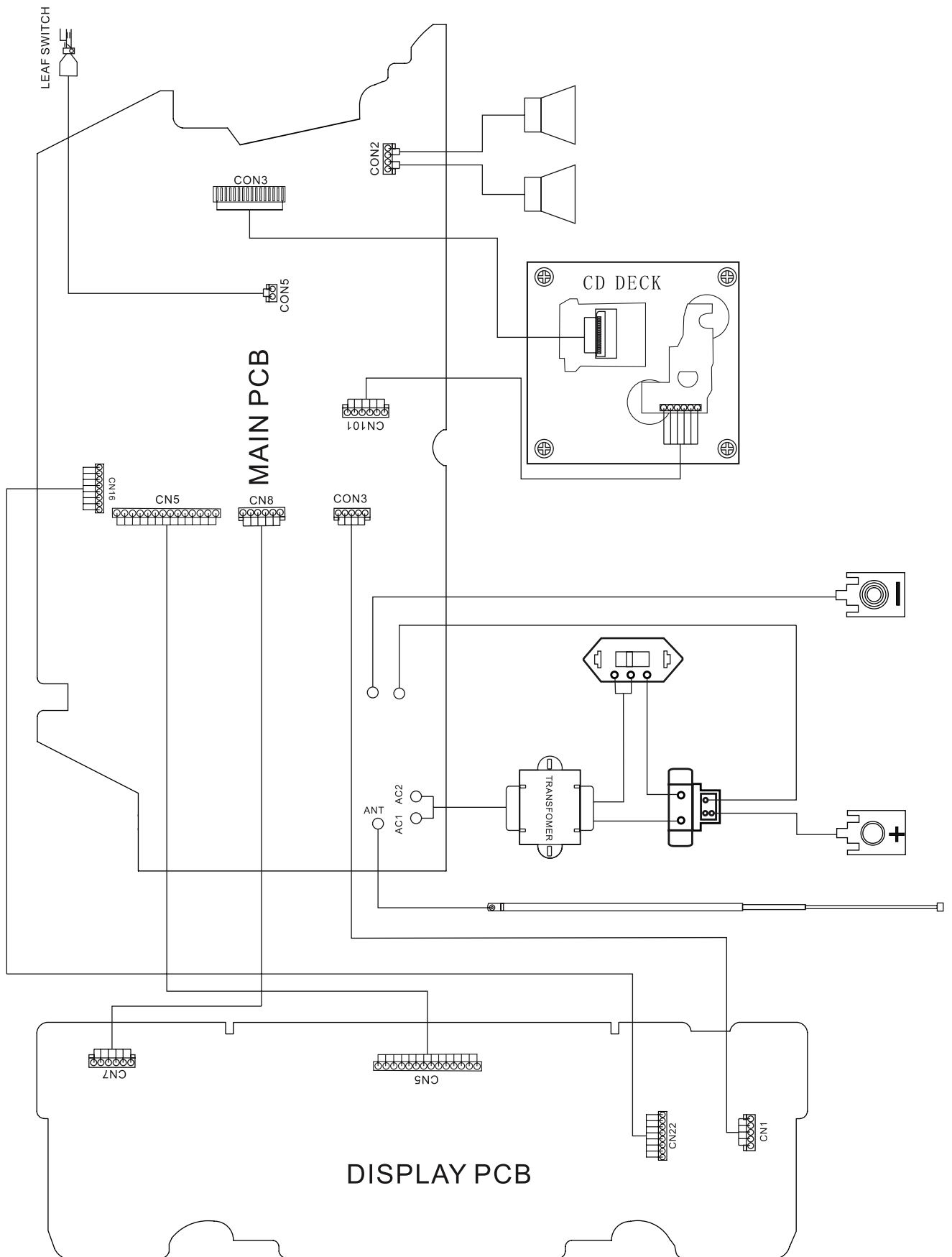


# PHILIPS

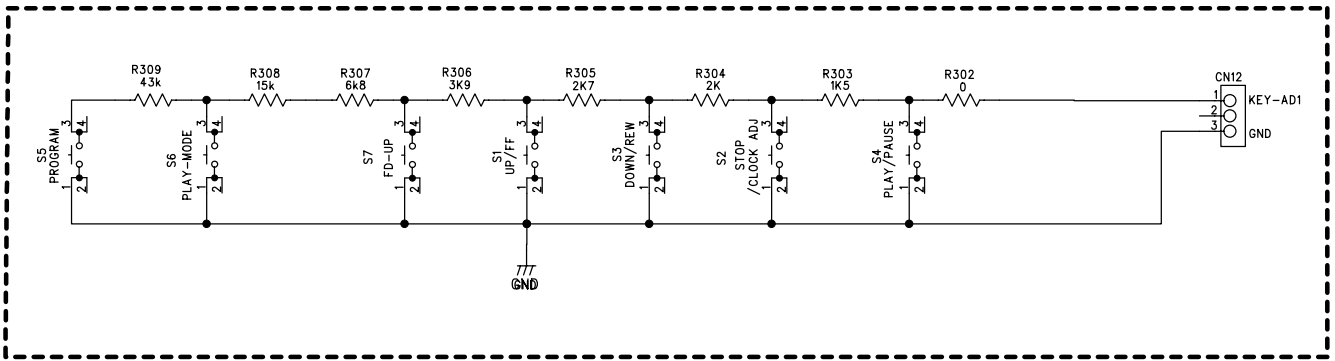
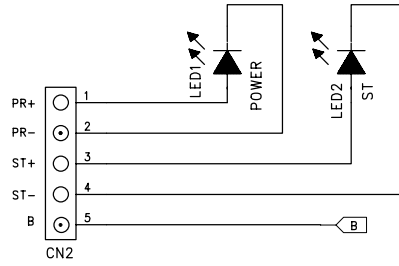
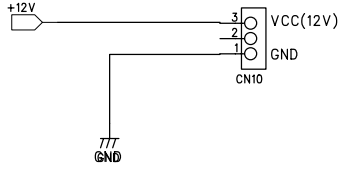
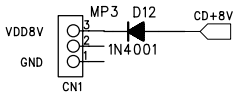
**SERVICE PARTS LIST**

9940 000 05087	BATTERY DOOR
9965 000 37712	HANDLE
9965 000 37713	CD DOOR AZ1123
9940 000 01687	ROD ANTENNA
9940 000 05086	DOOR LOCK #DSL-01B
9940 000 00505	SHOCK ABSORBER (658 TA 30C)
9940 000 00506	SHOCK ABSORBER (658 TB 40C)
9940 000 05085	CD MECHANISM DA11B3VZ
9965 000 37714	\$ AC CORD SET BRAZIL APP (/78)
9940 000 05083	\$ TRANSFORMER E148 117/230V (/78)
9940 000 05084	SPEAKER 3" 2W 8Ω"

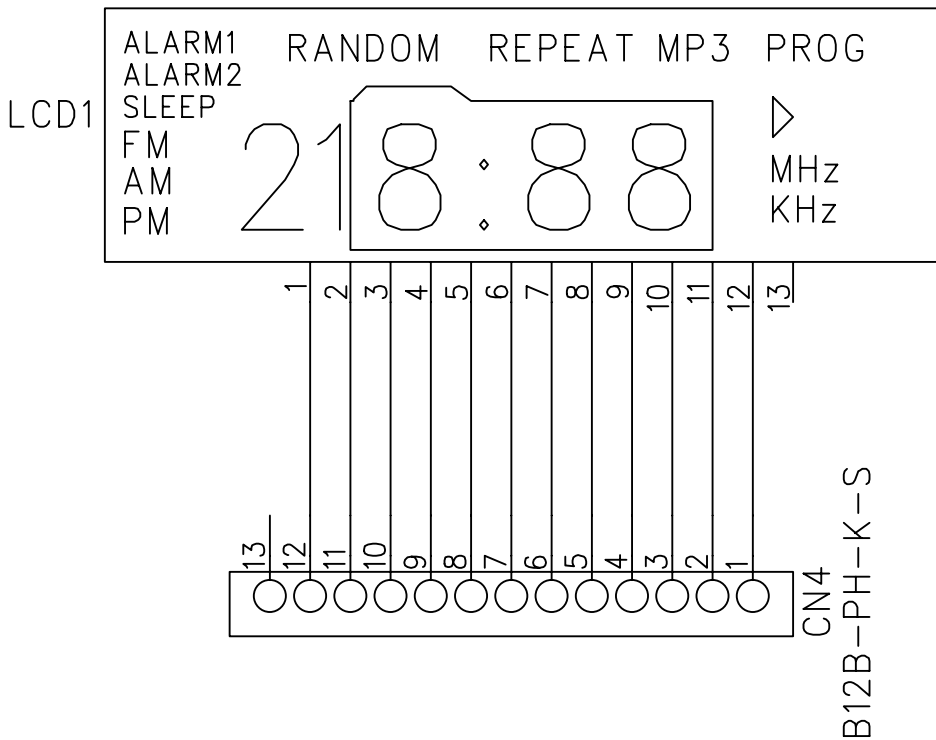
# SET WIRING DIAGRAM



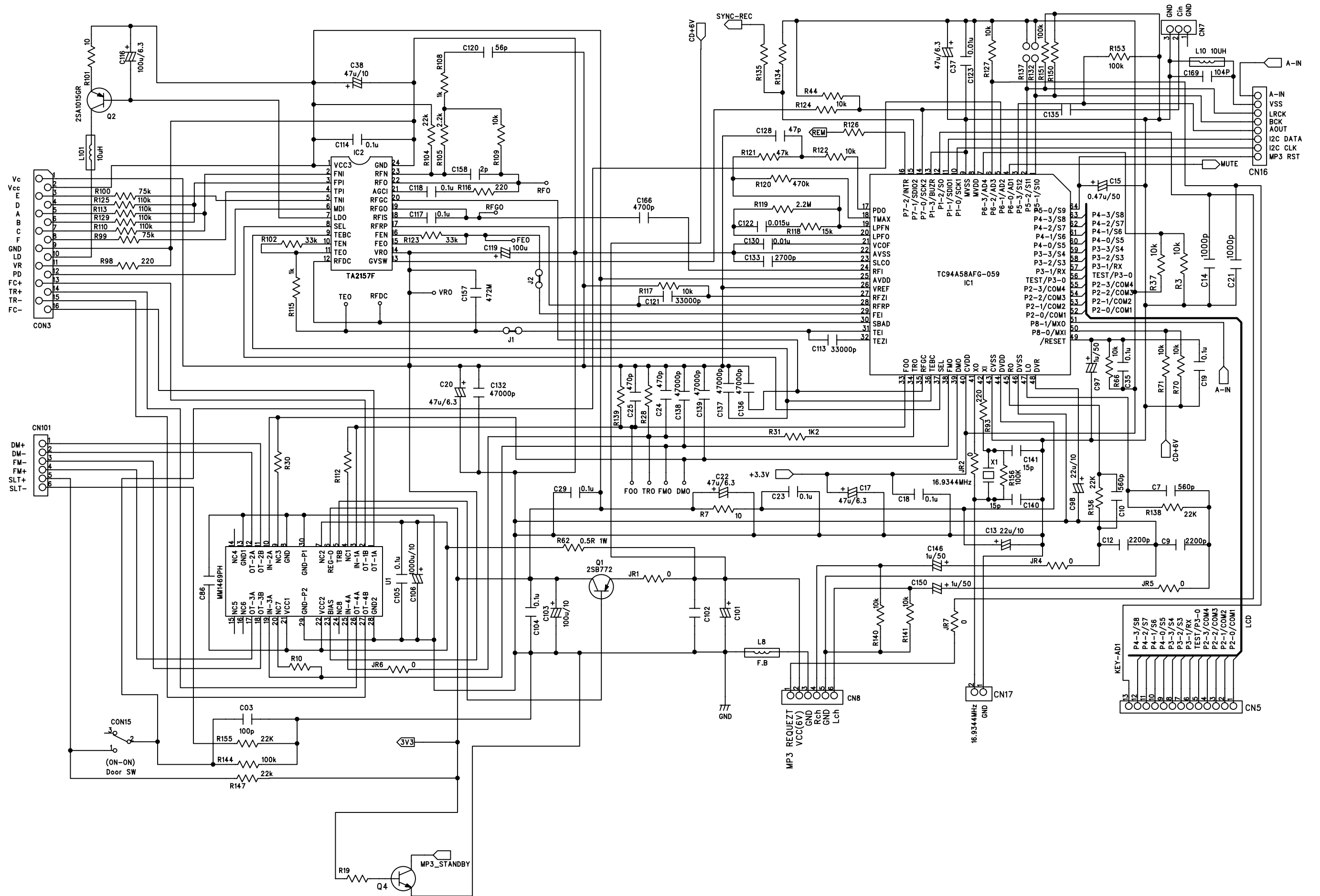
CIRCUIT DIAGRAM - Display / Key Board



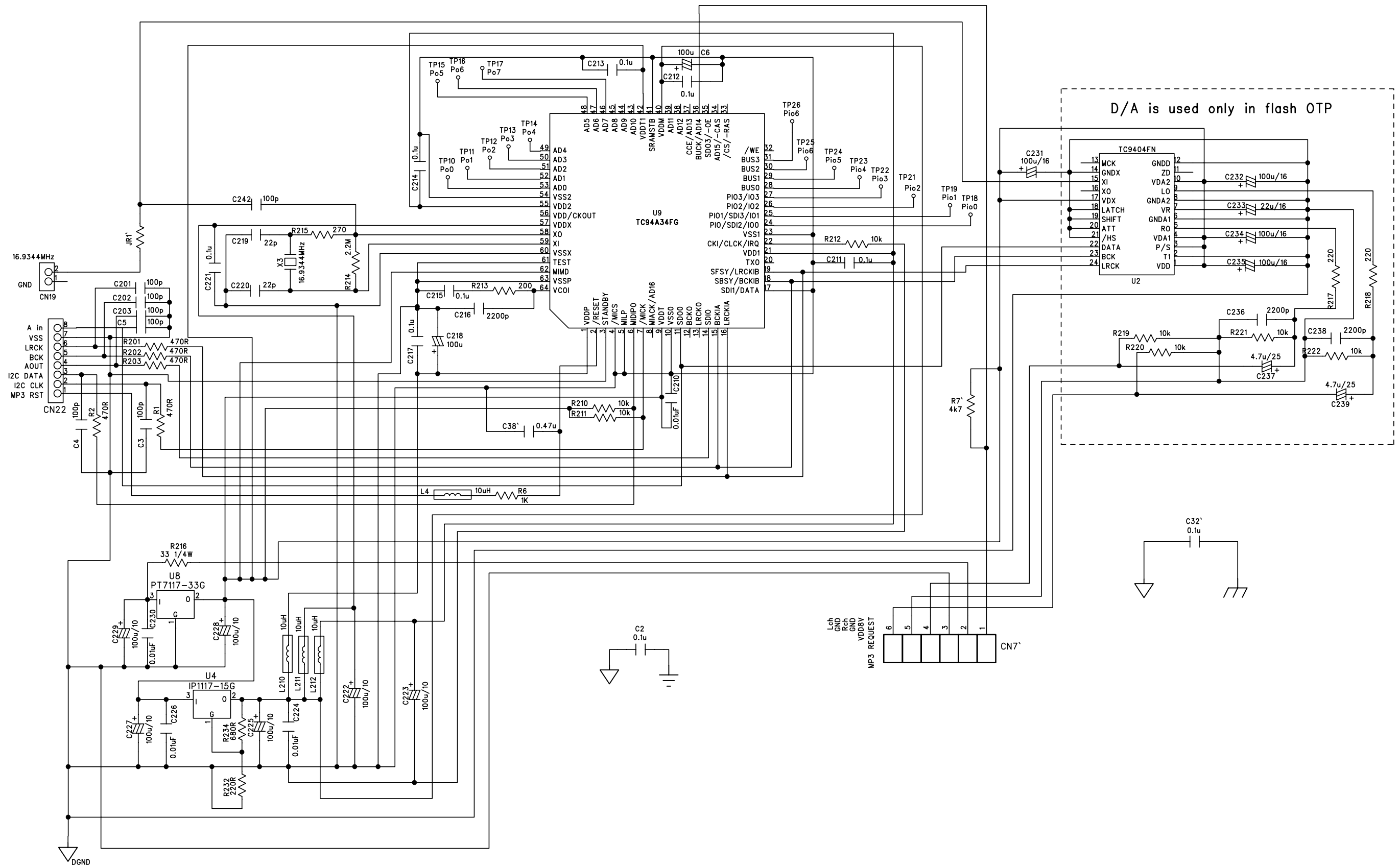
LCD\_CX452



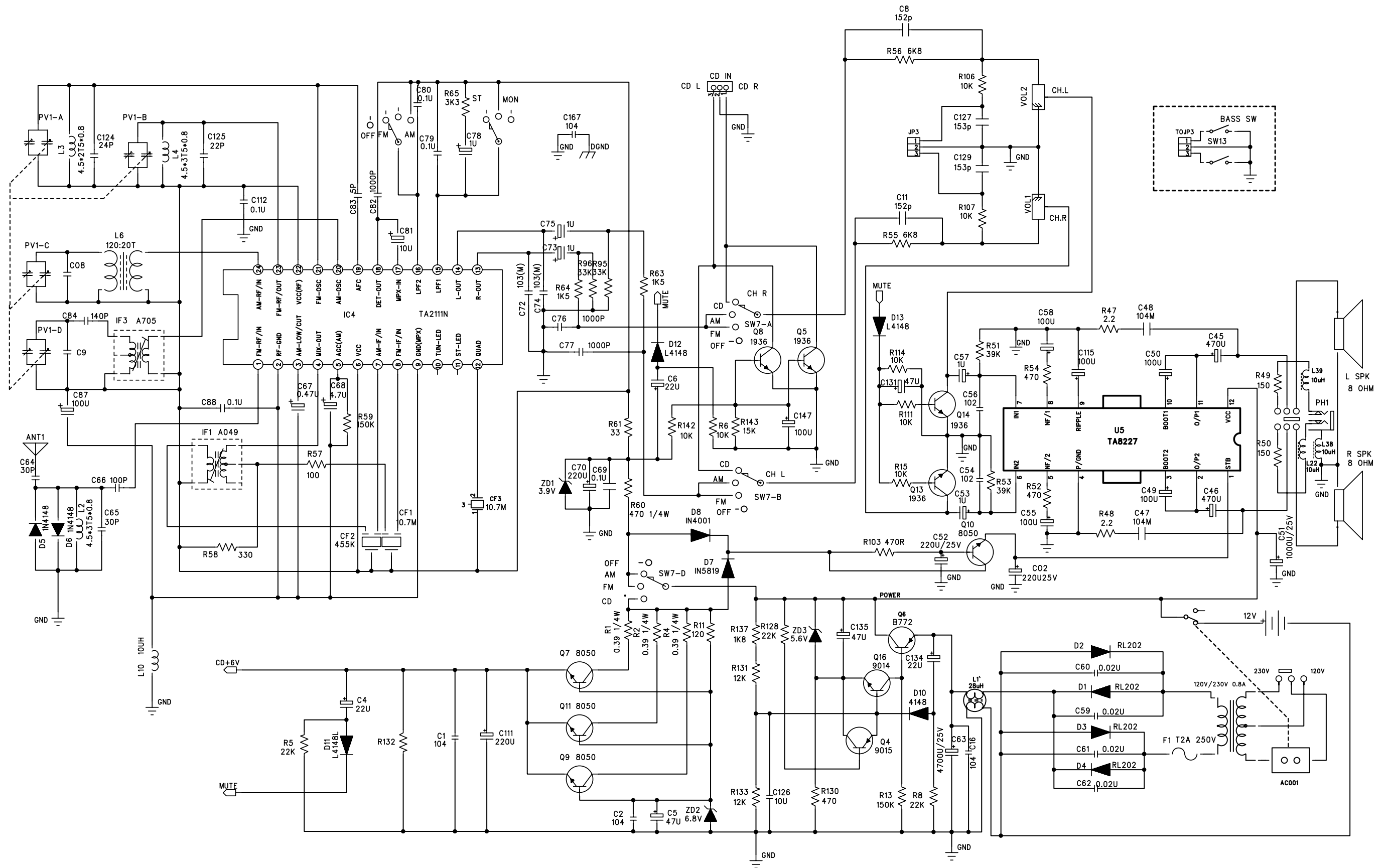
CIRCUIT DIAGRAM - CD (1)



CIRCUIT DIAGRAM - CD (2)



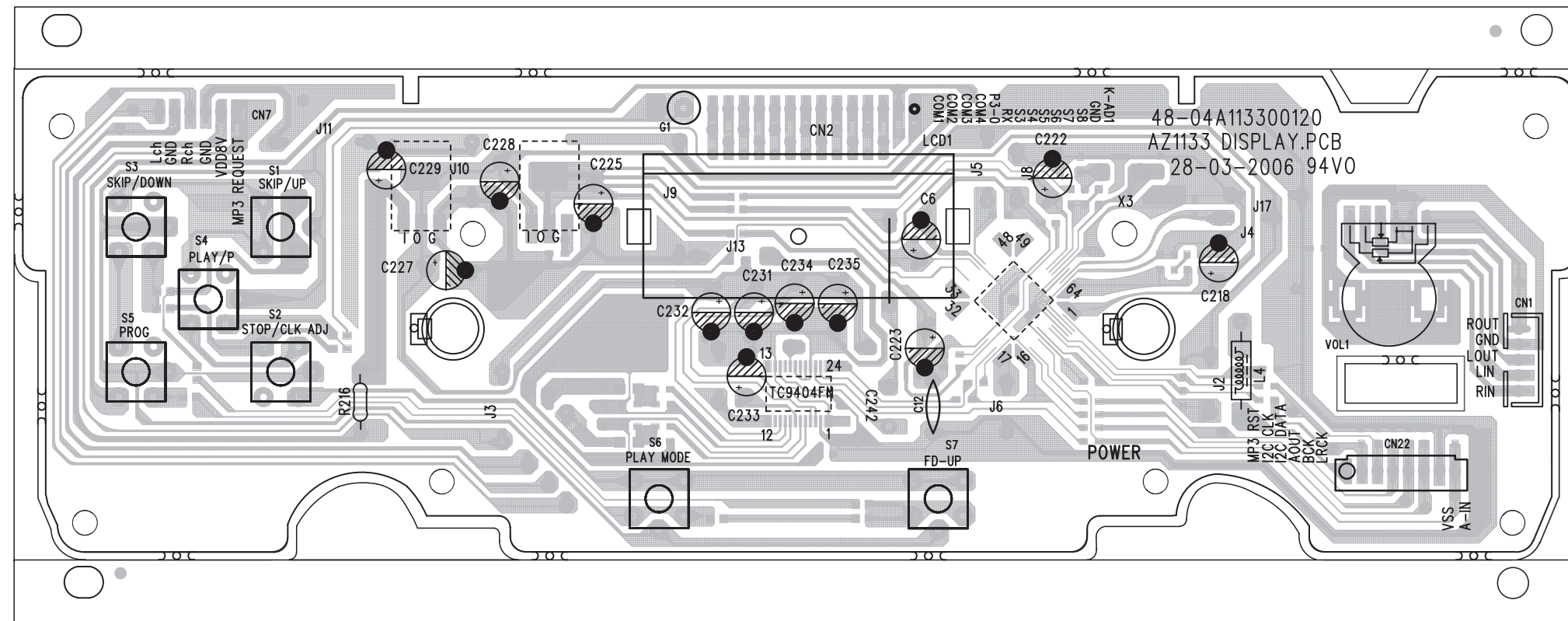
CIRCUIT DIAGRAM - TUNER AND POWER



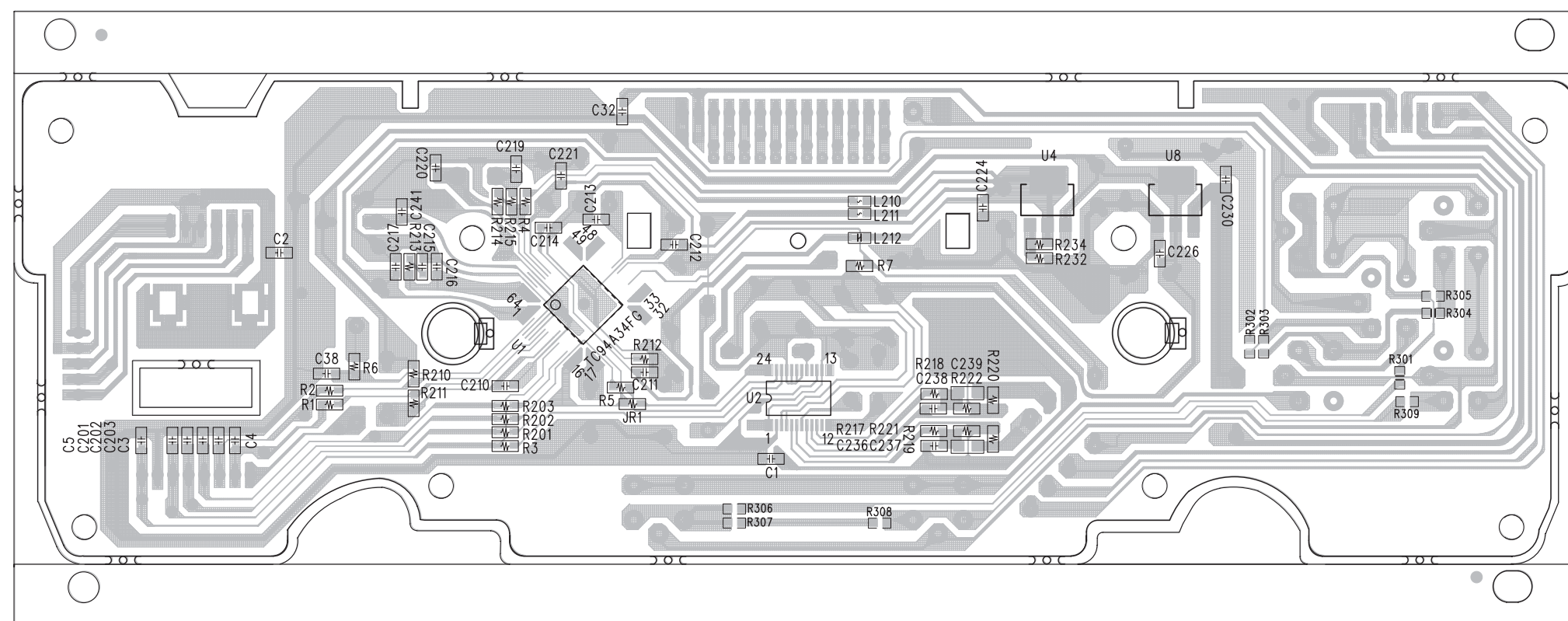


LAYOUT DIAGRAM - Display / Key Board

Top View

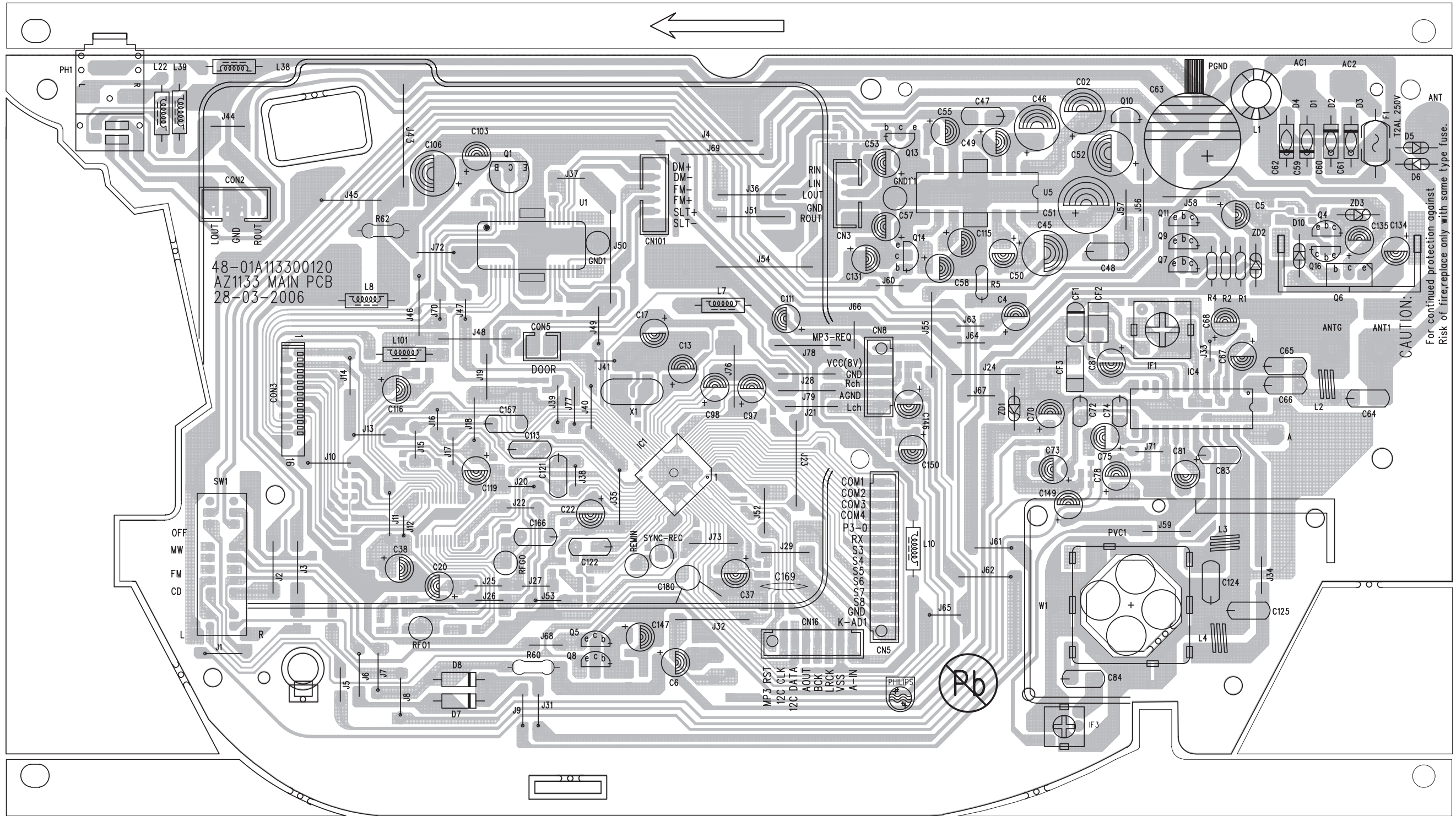


Bottom View





LAYOUT DIAGRAM - MAIN BOARD (TOP VIEW)





LAYOUT DIAGRAM - MAIN BOARD (BOTTOM VIEW)

